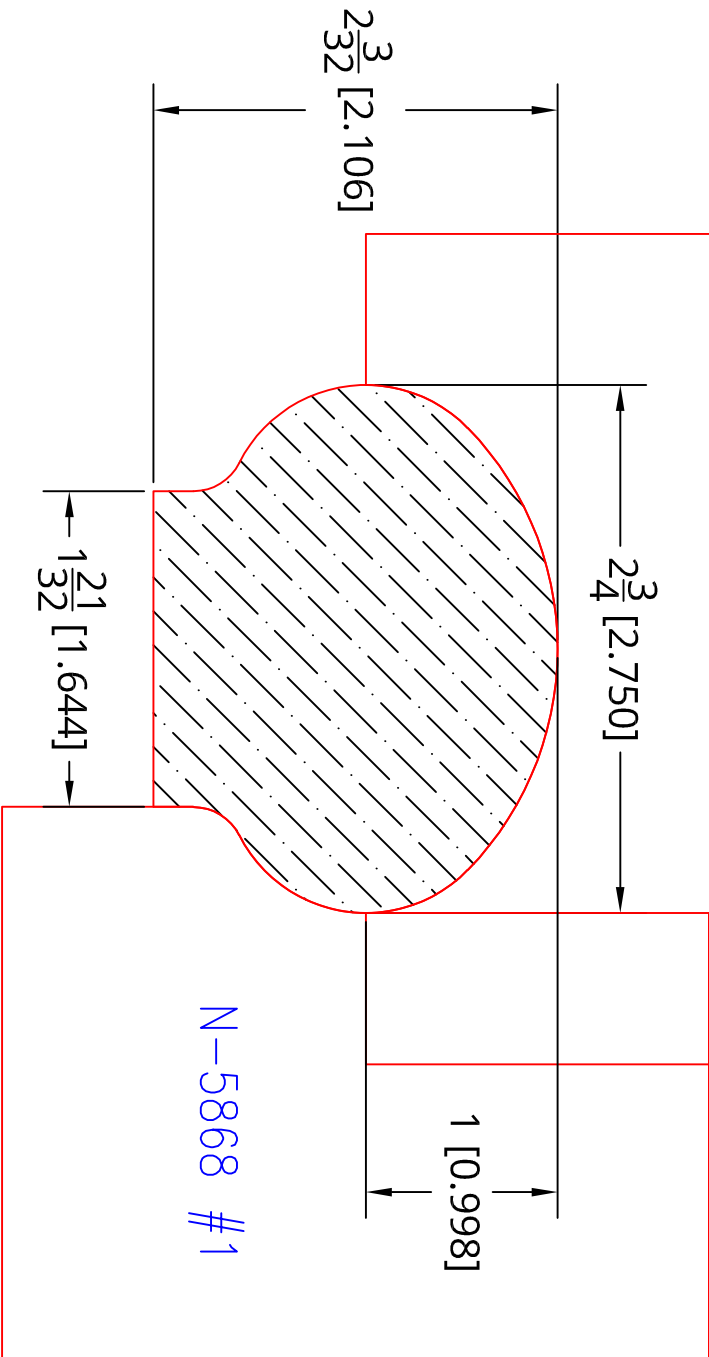


# N-5868

N-5868 #3



N-5868 #1

PATTERN: RAIL

VENDOR NAME: NORTH ATLANTIC CORP

NOTES:  
NA

JOB NUMBER: 518137

VENDOR NUMBER: N-5868

DWG BY: MPRAIRIE

TEMP CUT ON: 3/8/2022

SCALE: FULL

FILE NAME: F:\CAD\MOULDINGS\GRINDING TEMPLATES\SCIOLI DEVELOPMENT 3 8  
2022.DWG

BEDPLATE

FENCE

\*ALL DRAWINGS ARE VIEWED FROM  
IN-FEED POSITION\*